



SPEED QUEEN® ON-PREMISES LAUNDRY SOLUTIONS

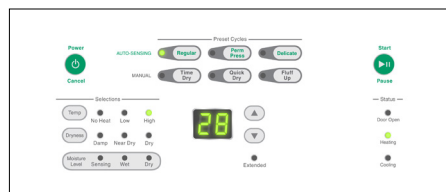
Stack Dryer

LSEE5AGS173TW01, LSEE5AGW173TW01, LSGE5AGS113TW01, LSGE5AGW113TW01, SSEMNA173TW01, SSGMNA113TW01

Stack Dryers

Get twice the drying capacity in the compact floor space of a single dryer with Speed Queen® stack dryers. Combined with extra capacity for large loads, the stack dryer gets the maximum amount of work done without breaking the bank – or your laundry design.

- Extra large capacity for large loads.
- 2.06 sq. ft. door opening is the largest in the industry, providing easy loading and unloading.
- Efficient dryer heating with 22,500 Btu (gas models) and 5350 Watts (electric models)



Electronic Homestyle Control

Speed Queen® dryers with Electronic Homestyle controls are designed for durability and are easy to operate with intuitive selection buttons and cycle status indicator lights. This control option features a time-remaining display, six preset cycle buttons, cycle adjustability for temperature and load size.

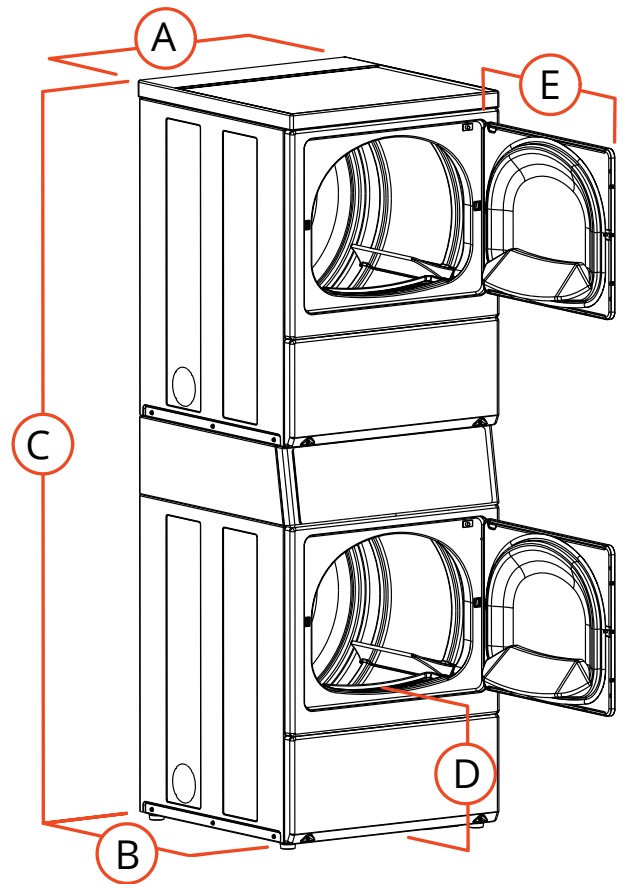


E-Mech Control

The E-Mech control features a straightforward design that offers users simple fabric selections. . Cue Lights keep them aware of whether the machine is in use, as well as the current cycle status.

Stack Dryer

Specifications		
Model/ Control Option	Electronic Homestyle (EH)	LSEE5AGS173TW01, LSEE5AGW173TW01, LSGE5AGS113TW01, LSGE5AGW113TW01
	E-Mech (EM)	SSEMNAGS173TW01, SSGMNAGS113TW01
Control Location	Front	
Capacity - lb (kg)	18 (8.2)	
Cylinder Volume - cu. ft. (liters)	7.0 (198)	
Overall Width - in (mm)	26.875 (683)	
Overall Depth - in (mm)	28 (711)	
Overall Height - in (mm)	78.17 (1986)	
Motor Power Consumption - hp (kw)	0.33 (0.25)	
Available Heat Sources	Gas or Electric	
Available Heating Element (Electric W)	5350 @ 240V	
Gas Inlet Connection - in (mm)	3/8 (9.5)	
Gas Consumption - BTU/Hr	22,500	
Exhaust Outlet DIA. - in (mm)	4 (102)	
Exhaust Airflow - cfm (liters/sec)	220 (105)	
*Available Cycles	Regular, Perm Press, Delicate, Time Dry, Quick Dry, Fluff Up	
Water Pressure -PSI (Bar)	20-120 (1.4/8.3)	
Cycle Indicator Lights	Yes	
Cylinder Finish	Galvanized	
Available Colors	White	
Door Type (Solid/Window)	Solid or Window	
Available Electrical Requirements - Voltage/Hz/Ph - Circuit Amperage	Electric	120/240/60/1 -30 120/208/60/1
	Gas	120/60/1 - 15
Shipping Dimensions Approx. - in (mm)	Width	30 (762)
	Depth	33 (838)
	Height	80 (2032)
Net Weight - lb (kg)	Electric	262 (119)
	Gas	270 (122)
Shipping Weight - lb (kg)	Electric	272 (123)
	Gas	280 (127)
Agency Approvals	Electric	cULus
	Gas	cCSAus



A. Overall Width - in (mm)	26.875 (683)
B. Overall Depth - in (mm)	28 (711)
C. Overall Height - in (mm)	78.17 (1986)
D. Floor To Door Opening - in (mm)	15.44 (392)
E. Door Swing - in (mm)	23.5 (597)

ADA Compliant - Lower Unit

Note: Not all options are available for all models. Refer to the price list for the available models and options.

* Information shown applies to highest end control available.

For the most accurate information, the installation guide should be used for all design and construction purposes. Due to continuous product improvements, design and specifications subject to change without notice. The quality management systems at Alliance Laundry Systems are registered to ISO 9001.